

BCW15500X

47 lt. gross capacity Compact Combi
Multifunction Oven with
Microwave



Smart Solutions



Combination Microwave & Oven



900 Watt Microwave



Animated touch control LED display

Main Features

Oven feature	Multifunctional Cooking with Microwave
Gross volume:	47 Litres
Net Volume:	40 Litres
Shelf positions:	3 levels
Display type:	Animated LED Display - Touchcontrol
Touch control:	Yes
Key lock:	Yes
Cooling fan:	Yes
Max. temperature:	250°C
Microwave power:	Max 900 W
Grill power:	2.0 kW
Fan heating power:	1.2 kW
Total power consumption:	3.6 kW

Design

Colour:	Black glass & stainless steel trim
Door activated Interior illumination:	1 x Round Halogen light (Rear)
Layers of door glass:	3
Inner door type:	Full glass (removable)
Durable oven door:	Yes

Functions

Operating modes:	Microwave, Oven, Combination
Number of functions:	10
	Microwave
	Microwave + Fan Heating
	Microwave + Full Grill
	Microwave + Full Grill + Fan
	Microwave + Defrost
	Fan heating
	Full grill
	Low grill
	Eco fan heating
	Warm Keeping
Booster:	Yes

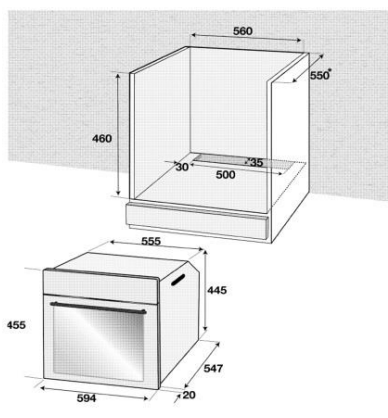
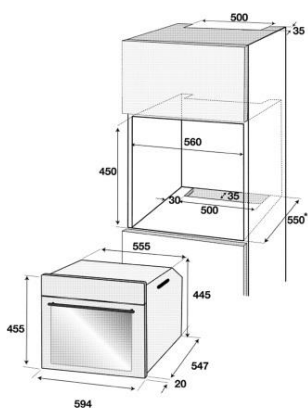
Accessories

Cooking tray (standard):	1
Glass tray:	1
Wire shelf with stopper:	1

Dimensions & Weights

Built-in dimensions (WxDxH) cabinet:	56x55x45 centimeters
Built-in dimensions (WxDxH) undercounter:	56x55x46 centimeters
Packaged height:	51.50 centimeters
Packaged width:	66.00 centimeters
Packaged depth:	66.00 centimeters
Packaged weight:	47.2 kilograms

EAN code: 8690842018756



min.

min.